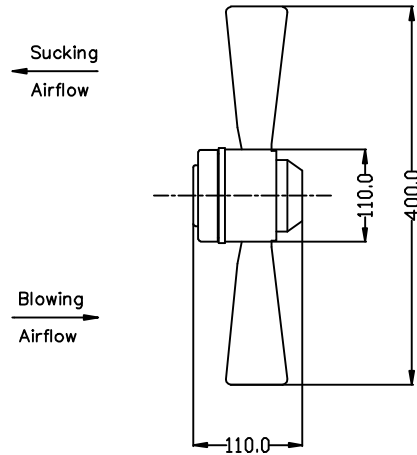
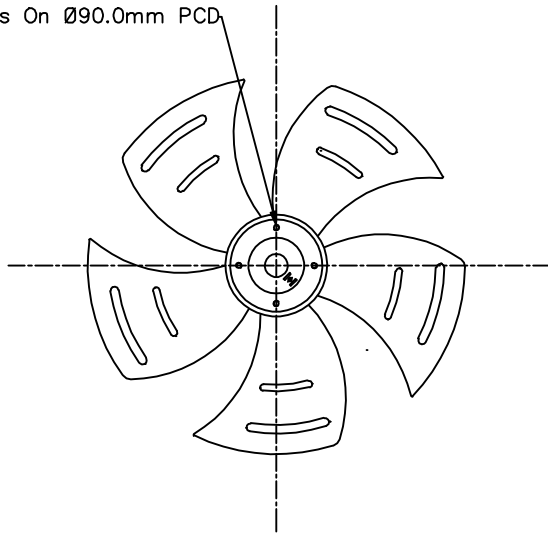




TECHNICAL DATA SHEET

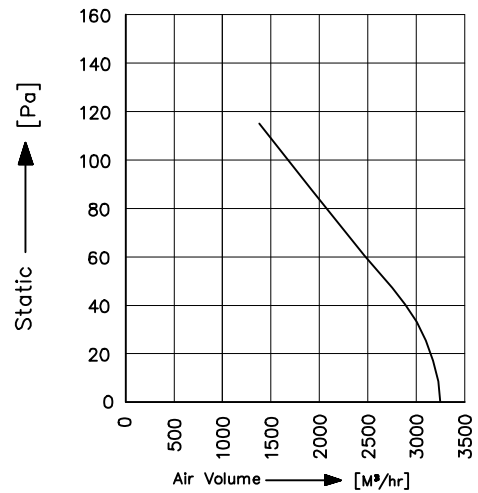
M6X10mm, 4Nos On Ø90.0mm PCD



SPECIFICATION (50Hz)

Voltage (V)	230
Watt (W)	155
Amps (A)	0.66
Speed (rpm)	1350
Capacitor (μ F)	5.0
Airflow (m^3/hr)	3250
Noise (db)	70
Net Weight (Kg) (With Bucket Grill)	5.6

PERFORMANCE CURVE



Conversion: 100pa \approx 0.4" H2O 100m³/hr \approx 60cfm

All information contained in this document is CONFIDENTIAL and the property of VBM. Reproduction of this any form is to be done with the specific permission of the company.

*Material :

- Blade: Steel, powder coated
- Grill: Steel, powder coated
- Rotor: Powder coated
- Housing: Steel, powder coated

*Type of protection: IP-44

*Insulation Class: "F"- Class

*Bearing: Maintenance free Ball Bearing.

*Permissible ambient temperature: 0 to 60° C

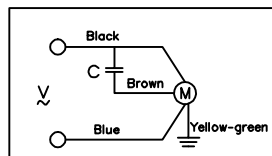
*High Voltage test according to IS: 3588-1987

*Balancing Grade: Fans conform 2.5 Grade as recommended by IS 1940-1973

*Direction of rotation: Sucking- Counter clockwise

Blowing- Clockwise, Seen on rotor

*Wiring Diagram :



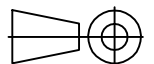
MODEL : FA23/400-14/K 3

SCALE: NTS | Page 1 of 2

REV/DATE: 01,29.11.2013

PREPARED BY : J.G.P

CHECKED BY : S.B.D

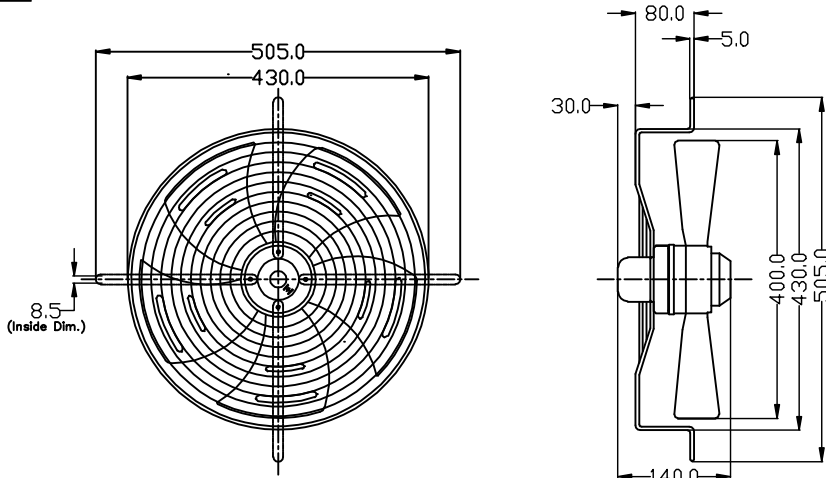




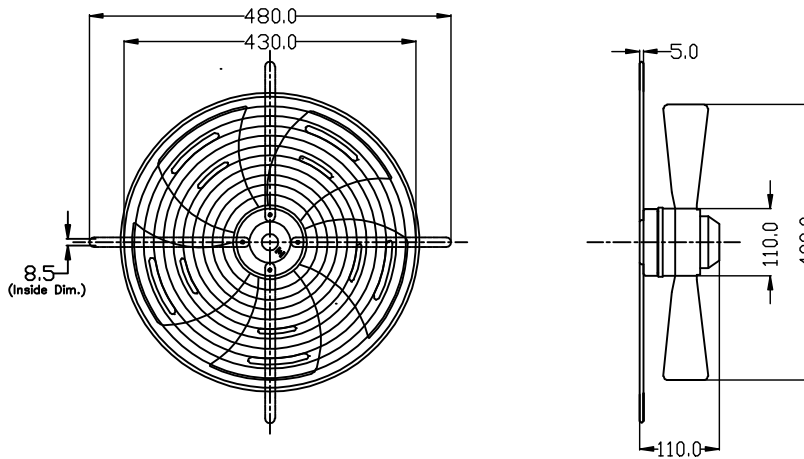
TECHNICAL DATA SHEET

ACCESSORIES

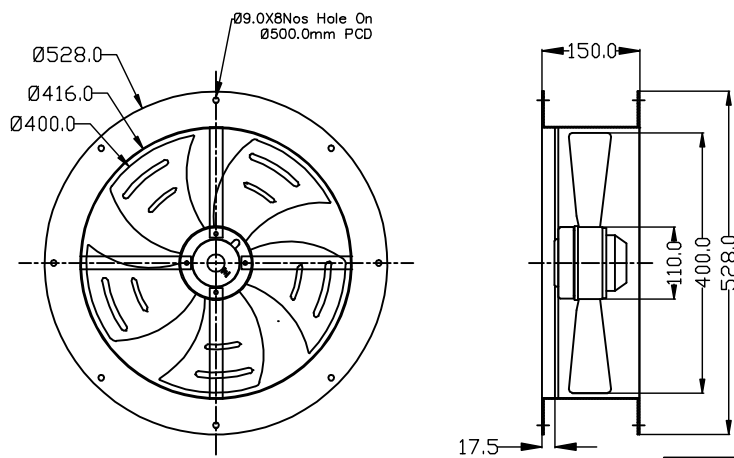
Basket Grill



Flat Grill



Round Housing



All information contained in this document is CONFIDENTIAL and the property of VBM. Reproduction of this any form is to be done with the specific permission of the company.

NOTE: ALL DIMENSIONS ARE IN MM.

MODEL : FA23/400-14/K3

SCALE: NTS | Page 2 of 2

REV/DATE: 01,29.11.2013

PREPARED BY : J.G.P

CHECKED BY : S.B.D

