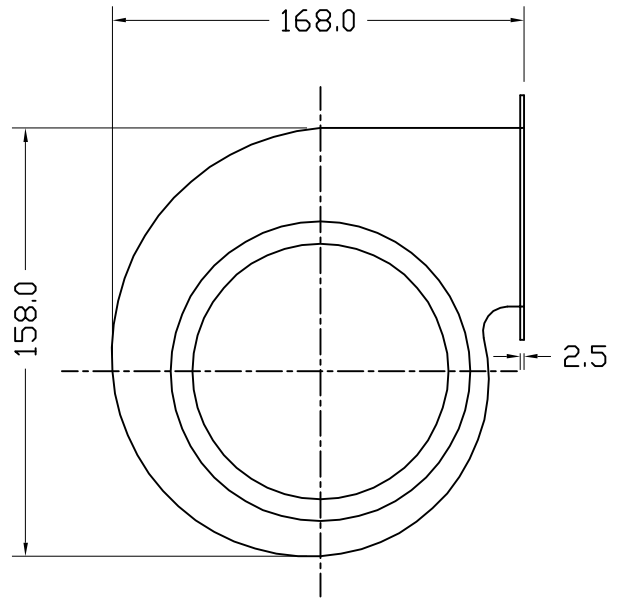
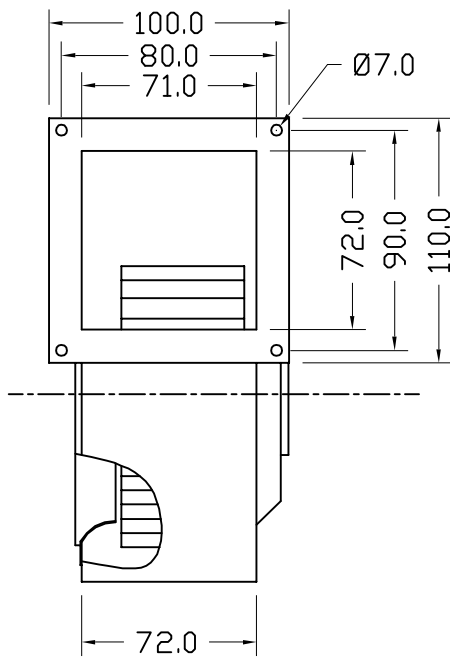




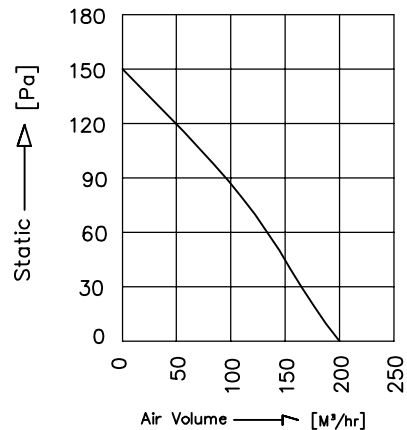
TECHNICAL DATA SHEET



SPECIFICATION (50Hz)

Voltage (V)	230
Watt (W)	50
Amps (A)	0.23
Speed (rpm)	2500
Capacitor (μ F)	1.5
Airflow (m^3/hr)	200
Noise (dbA)	64
Net Weight (Kg)	2.10

PERFORMANCE CURVE



Conversion: 100pa \approx 0.4" H₂O 100m³/hr \approx 60cfm

*Material :

- Impeller: G.I, Zinc Plated
- Housing: Steel, powder coated
- Rotor: Powder coated

*Type of protection: IP-44

*Insulation Class: "F"- Class

*Bearing: Maintenance free Ball Bearing.

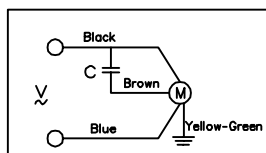
*Permissible ambient temperature: 0 to 60° C

*High Voltage test according to IS: 3588-1987

*Balancing Grade: Fans conform 6.3 Grade as recommended by IS 1940-1-2003

*Direction of rotation: Clockwise, Seen on rotor

*Wiring Diagram :



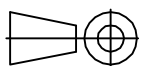
MODEL : SI23/12028/S1

SCALE: NTS Page 1 of 1

REV/DATE: 00,01.01.2019

PREPARED BY : J.G.P

CHECKED BY : D.B.M



All information contained in this document is CONFIDENTIAL and the property of VBM.Reproduction of this any form is to be done with the specific permission of the company.

NOTE: ALL DIMENSIONS ARE IN MM.