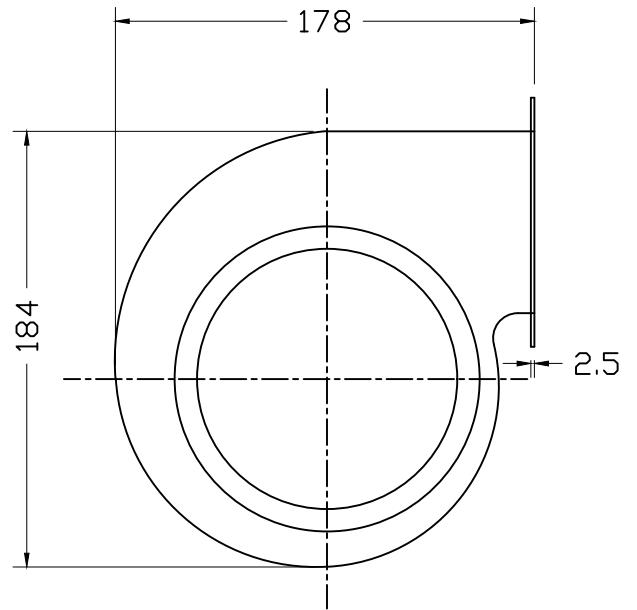
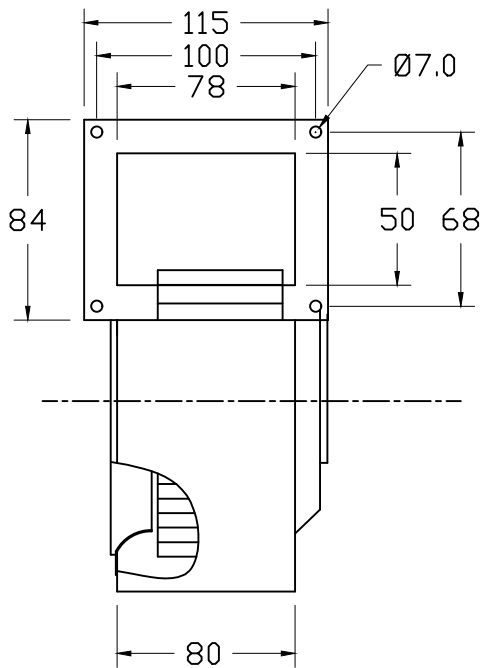




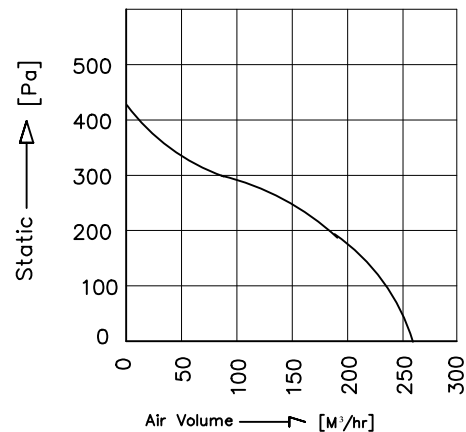
# TECHNICAL DATA SHEET



## SPECIFICATION (50Hz)

Voltage (V)	415
Watt (W)	65
Amps (A)	0.20
Speed (rpm)	2450
Capacitor ( $\mu$ F)	
Airflow ( $m^3/hr$ )	260
Noise (dbA)	70
Net Weight (Kg)	2.8

## PERFORMANCE CURVE



Conversion: 100pa  $\approx$  0.4" H2O 100m<sup>3</sup>/hr  $\approx$  60cfm

### \*Material :

-Impeller: G.I, Zinc Plated  
 -Housing: Steel, powder coated

\*Type of protection: IP-44

\*Insulation Class: "F"- Class

\*Bearing: Maintenance free Ball Bearing.

\*Permissible ambient temperature: 0 to 60° C

\*High Voltage test according to IS:3588-1987

\*Balancing Grade: Fans conform 6.3 Grade as recommended by IS 1940-1-20

\*Direction of rotation: Clockwise, Seen on rotor

All information contained in this document is CONFIDENTIAL and the property of VBM Ent. .Reproduction of this any form is to be done with the specific permission of the company.

NOTE: ALL DIMENSIONS ARE IN MM.

MODEL : SI44/133x48/28/H

SCALE: NTS | Page 1 of 1

REV/DATE:00,24-06-22

PREPARED BY : J.G.P

CHECKED BY : D.B.M

