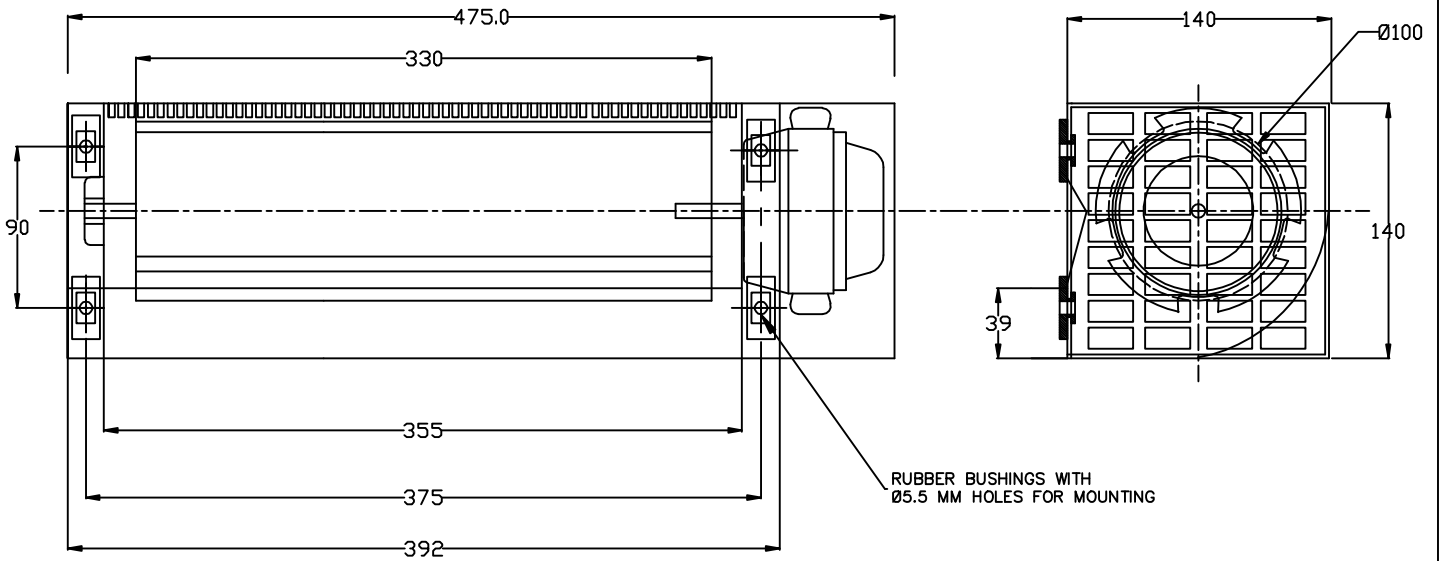




TECHNICAL DATA SHEET



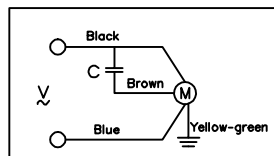
SPECIFICATION (50Hz)

Voltage (V)	230
Watt (W)	40
Amps (A)	0.17
Speed (rpm)	1400
Capacitor (μ F)	1.50
Airflow (m^3/hr)	375
Noise (db)	55
Net Weight (Kg)	4.0

All information contained in this document is CONFIDENTIAL and the property of VBM. Reproduction of this any form is to be done with the specific permission of the company.

- *Material :
 - Impeller: Plastic
 - Rotor: Powder coated
- *Type of protection: IP-54
- *Insulation Class: "F"- Class
- *Bearing: Maintenance free Ball Bearing.
- *Permissible ambient temperature: 0 to 60° C
- *High Voltage test according to IS: 3588-1987
- *Balancing Grade: Fans conform 2.5 Grade as recommended by IS 1940-1973
- *Direction of rotation: Counter Clockwise, Seen on rotor

*Wiring Diagram :



NOTE: ALL DIMENSIONS ARE IN MM.

MODEL: CF23/100X330-14/S2

SCALE: NTS | Page 1 of 1

REV/DATE: 01,29.11.2013

PREPARED BY : J.G.P

CHECKED BY : S.B.D

