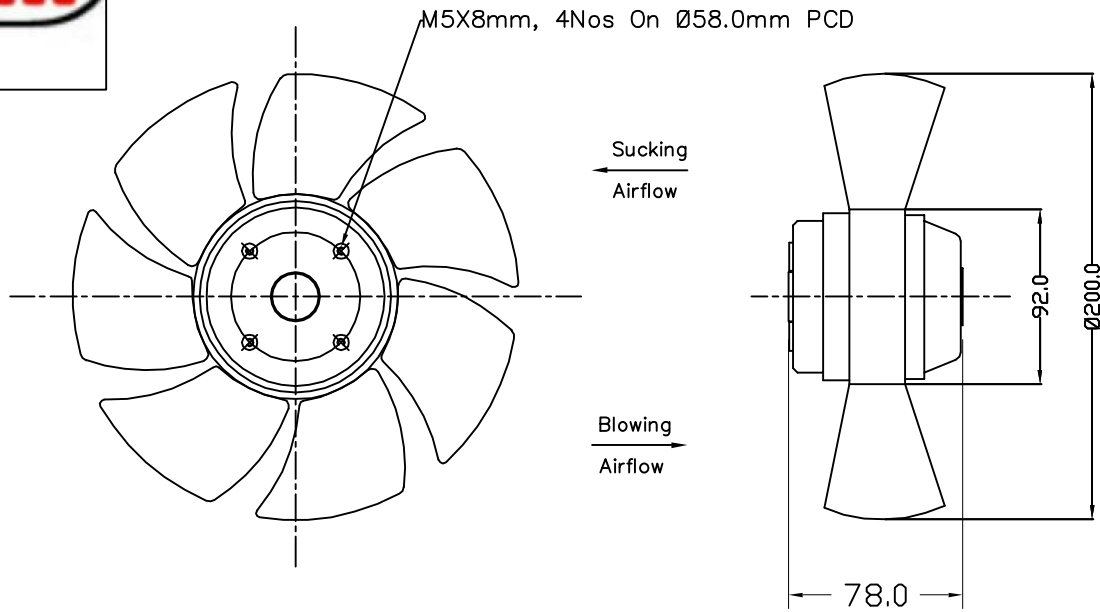




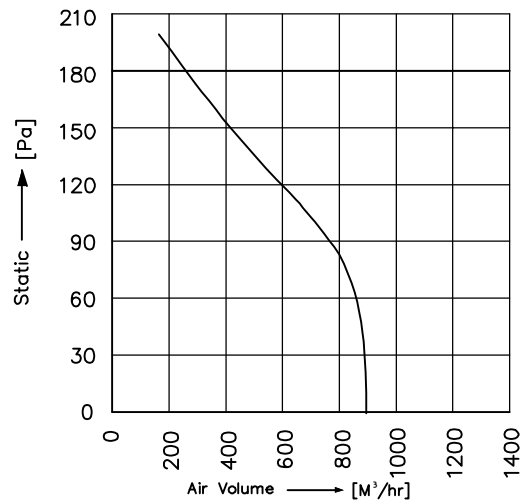
# TECHNICAL DATA SHEET



## SPECIFICATION (50Hz)

Voltage (V)	415
Watt (W)	60
Amps (A)	0.16
Speed (rpm)	2500
Capacitor ( $\mu$ F)	---
Airflow ( $m^3/hr$ )	900
Noise (dbA)	65
Net Weight (Kg) (With Bucket Grill)	2.0

## PERFORMANCE CURVE



Conversion: 100pa  $\approx$  0.4" H2O      100m<sup>3</sup>/hr  $\approx$  60cfm

All information contained in this document is CONFIDENTIAL and the property of VBM. Reproduction of this any form is to be done with the specific permission of the company.

### \*Material :

- Blade: Steel, powder coated
- Grill: Steel, powder coated
- Rotor: Powder coated
- Housing: Steel, powder coated

\*Type of protection: IP-44

\*Insulation Class: "F"- Class

\*Bearing: Maintenance free Ball Bearing.

\*Permissible ambient temperature: 0 to 60° C

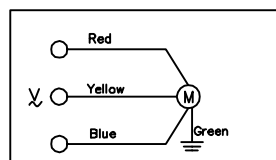
\*High Voltage test according to IS: 3588-1987

\*Balancing Grade: Fans conform 6.3 Grade as recommended by IS 1940-1-2003

\*Direction of rotation: Sucking- Counter clockwise

Blowing- Clockwise, Seen on rotor

### \*Wiring Diagram :



MODEL : FA44/ 2028

SCALE: NTS Page 1 of 2

REV/DATE: 01,15.02.2016

PREPARED BY : J.G.P

CHECKED BY : D.B.M

