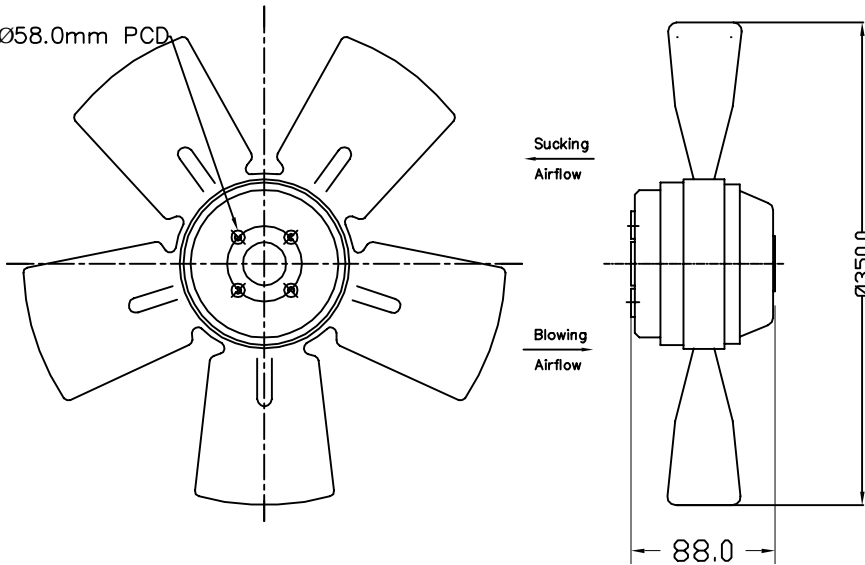




TECHNICAL DATA SHEET

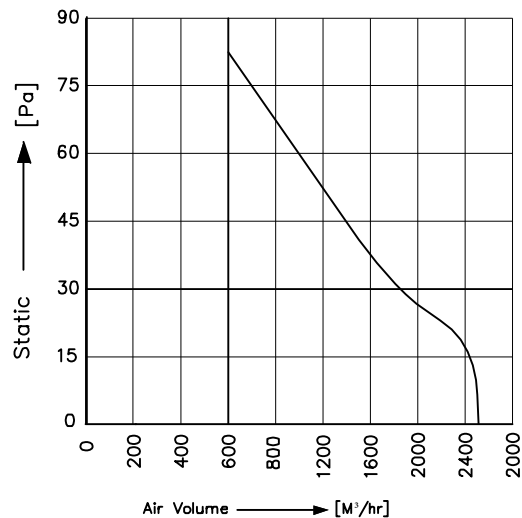
M5X8mm, 4Nos On Ø58.0mm PCD



SPECIFICATION (50Hz)

Voltage (V)	230
Watt (W)	125
Amps (A)	0.45
Speed (rpm)	1300
Capacitor (µF)	3.15
Airflow (m ³ /hr)	2500
Noise (db)	65
Net Weight (Kg)	4.2

PERFORMANCE CURVE



Conversion: 100pa ≈ 0.4" H2O 100m³/hr ≈ 60cfm

All information contained in this document is CONFIDENTIAL and the property of VBM. Reproduction of this any form is to be done with the specific permission of the company.

*Material :

- Blade: Steel, powder coated
- Grill: Steel, powder coated
- Rotor: Powder coated
- Housing: Steel, powder coated

*Type of protection: IP-54

*Insulation Class: "F"- Class

*Bearing: Maintenance free Ball Bearing.

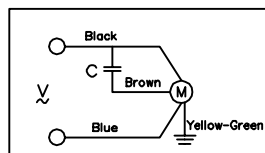
*Permissible ambient temperature: 0 to 60° C

*High Voltage test according to IS: 3588-1987

*Balancing Grade: Fans conform 6.3 Grade as recommended by IS 1940-1-2003

*Direction of rotation: Sucking- Counter clockwise

*Wiring Diagram :



NOTE: ALL DIMENSIONS ARE IN MM.

MODEL : FA23/3514/S3

SCALE: NTS | Page 1 of 2

REV/DATE: 00,17.03.2015

PREPARED BY : J.G.P

CHECKED BY : D.B.M

