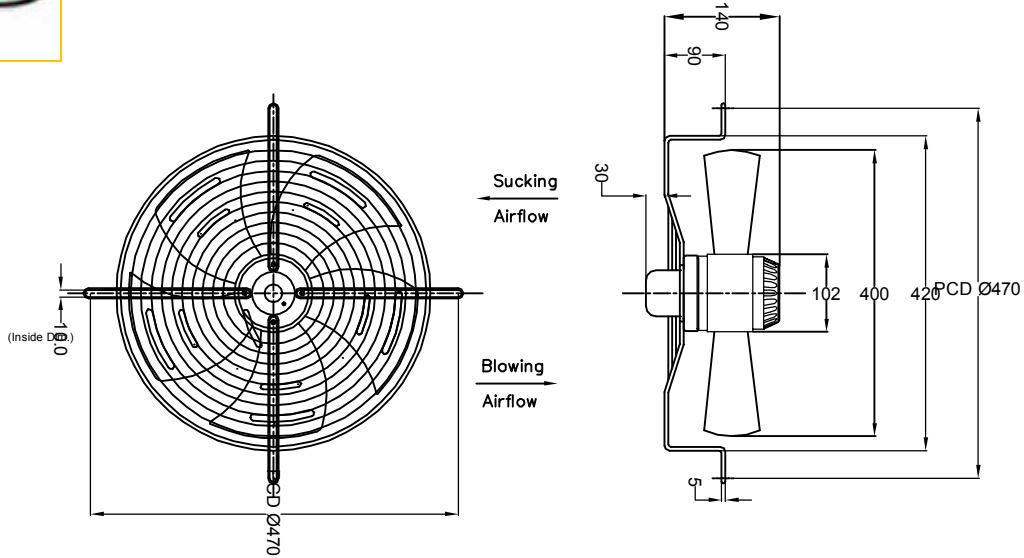




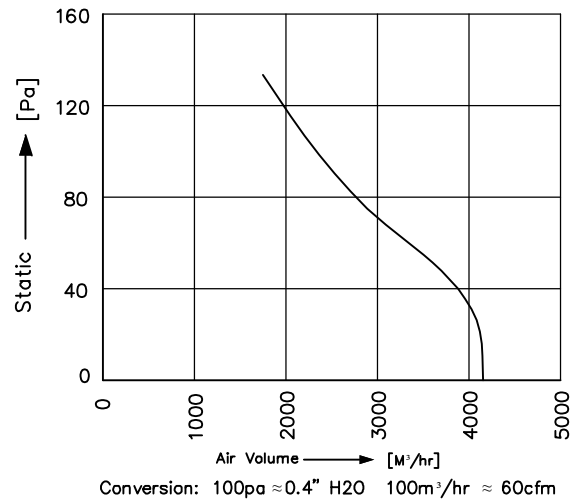
# TECHNICAL DATA SHEET



## SPECIFICATION (50Hz)

Voltage (V)	415
Watt (W)	179
Amps (A)	0.57
Speed (rpm)	1400
Capacitor (µF)	----
Airflow (m <sup>3</sup> /hr)	4150
Noise (dbA)	64
Net Weight (Kg) (With Basket Grill)	5.7

## PERFORMANCE CURVE



All information contained in this document is CONFIDENTIAL and the property of VBM. Reproduction without the specific permission of the company.

### \*Material :

- Blade: Steel, powder coated
- Grill: Steel, powder coated
- Rotor: Powder coated
- Frame: Steel, powder coated

\*Type of protection: IP-54

\*Motor protection: Design with thermal overload protector

\*Insulation Class: "F"- Class

\*Bearing: Maintenance free Ball Bearing.

\*Permissible ambient temperature: 0 to 60° C

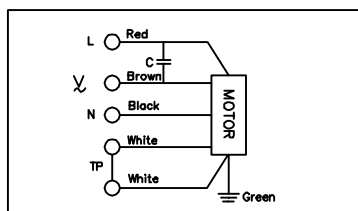
\*High Voltage test according to IS: 3588-1987

\*Balancing Grade: Fans conform 6.3 Grade as recommended by IS 1940-1-2003

\*Direction of rotation: Sucking- Counter clockwise

Blowing- Clockwise, Seen on rotor

### \*Wiring Diagram :



MODEL : FA44/400-14/K4

SCALE: NTS | Page 1 of 1

REV/DATE: 00,24.01.2024

PREPARED BY : V.J.P

CHECKED BY : D.B.M

