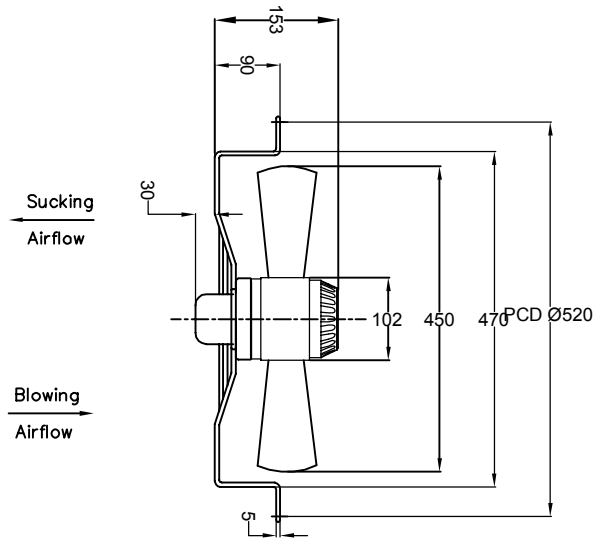
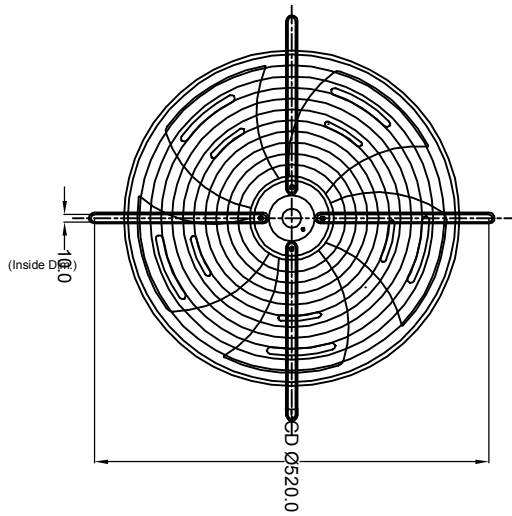




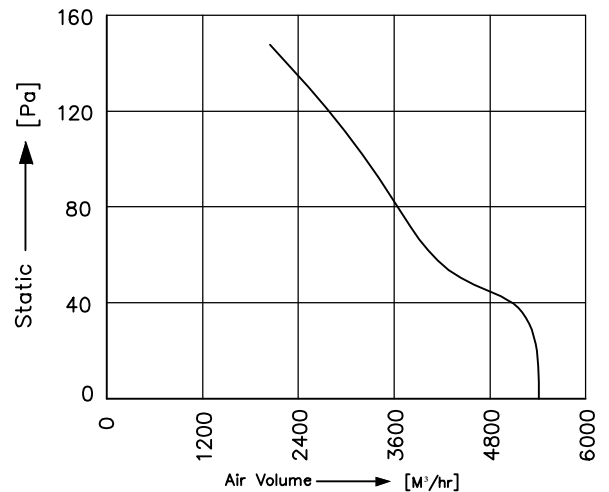
TECHNICAL DATA SHEET



SPECIFICATION (50Hz)

Voltage (V)	415
Watt (W)	250
Amps (A)	0.60
Speed (rpm)	1400
Capacitor (μ F)	----
Airflow (m^3/hr)	5400
Noise (dbA)	65
Net Weight (Kg) (With Basket Grill)	7.0

PERFORMANCE CURVE



Conversion: 100pa \approx 0.4" H2O 100m³/hr \approx 60cfm

All information contained in this document is CONFIDENTIAL and the property of VBM. Reproduction of this any form is to be done with the specific permission of the company.

*Material :

- Blade: Steel, powder coated
- Grill: Steel, powder coated
- Rotor: Powder coated
- Frame: Steel, powder coated

*Type of protection: IP-54

*Motor protection: Design with thermal overload protector

*Insulation Class: "F"- Class

*Bearing: Maintenance free Ball Bearing.

*Permissible ambient temperature: 0 to 60° C

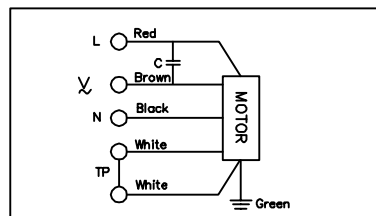
*High Voltage test according to IS: 3588-1987

*Balancing Grade: Fans conform 6.3 Grade as recommended by IS 1940-1-2003

*Direction of rotation: Sucking- Counter clockwise

Blowing- Clockwise, Seen on rotor

*Wiring Diagram :



MODEL : FA44/450-14/K5

SCALE: NTS Page 1 of 1

REV/DATE: 00,24.01.2024

PREPARED BY : V.J.P

CHECKED BY : D.B.M

