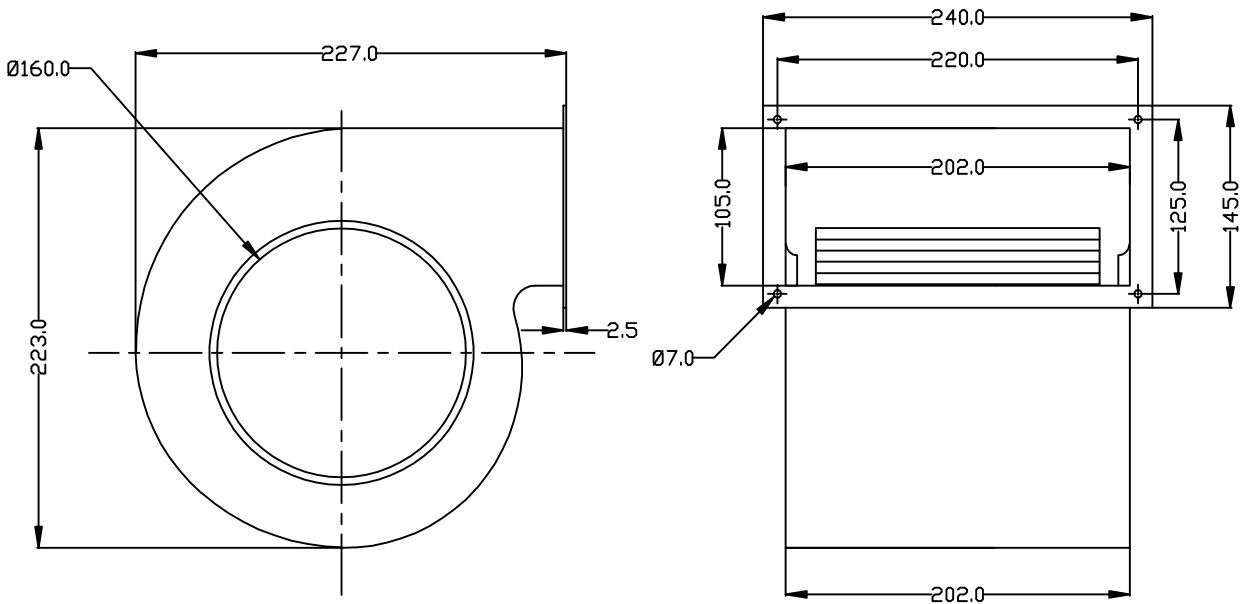




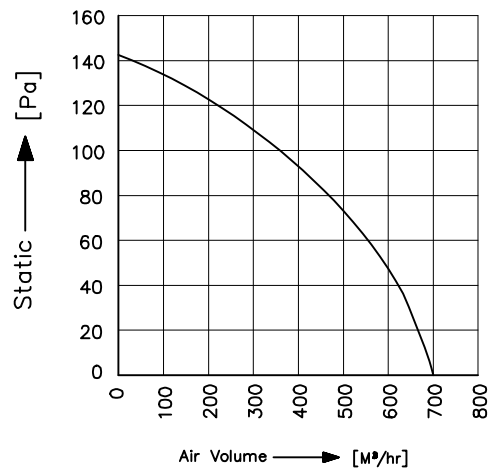
# TECHNICAL DATA SHEET



## SPECIFICATION (50Hz)

Voltage (V)	230
Watt (W)	101
Amps (A)	0.43
Speed (rpm)	1300
Capacitor ( $\mu$ F)	3.15
Airflow ( $m^3/hr$ )	700
Noise (db)	70
Net Weight (Kg)	4.80

## PERFORMANCE CURVE



Conversion: 100pa  $\approx$  0.4" H2O 100m³/hr  $\approx$  60cfm

All information contained in this document is CONFIDENTIAL and the property of VBM. Reproduction of this any form is to be done with the specific permission of the company.

### \*Material :

- Impeller: G.I, Zinc Plated
- Housing: Steel, powder coated
- Rotor: Powder coated

\*Type of protection: IP-54

\*Insulation Class: "F"- Class

\*Bearing: Maintenance free Ball Bearing.

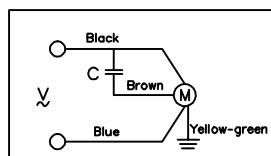
\*Permissible ambient temperature: 0 to 60° C

\*High Voltage test according to IS: 3588-1987

\*Balancing Grade: Fans conform 2.5 Grade as recommended by IS 1940-1973

\*Direction of rotation: Clockwise, Seen on rotor

### \*Wiring Diagram :



NOTE: ALL DIMENSIONS ARE IN MM.

MODEL : DI23/160X150-14/S3

SCALE: NTS | Page 1 of 1

REV/DATE: 01,29.11.2013

PREPARED BY : J.G.P

CHECKED BY : S.B.D

